

**Part Number: PTS22-35072**

**Kit Contents**

Item #	Quantity Reqd.	Description
1	1	Shift Knob
2	1	Instruction Sheet
3		

**Hardware Bag Contents**

Item #	Quantity Reqd.	Description
1		
2		
3		

**Additional Items Required For Installation**

Item #	Quantity Reqd.	Description
1		
2		
3		

**Conflicts**

--

**Recommended Tools**

<b>Personal &amp; Vehicle Protection</b>	<b>Notes</b>
<b>Special Tools</b>	<b>Notes</b>
<b>Installation Tools</b>	<b>Notes</b>
Wiping Cloth	
<b>Special Chemicals</b>	<b>Notes</b>

**General Applicability**

A/T only
----------

**Recommended Sequence of Application**

Item #	Accessory
1	
2	
3	





\*Mandatory

**NOTE:** Part number of this accessory may not be the same as the part number shown.

**Vehicle Service Parts** (may be required for reassembly)

Item #	Quantity Reqd.	Description
1		
2		
3		

**Legend**

	<b>STOP:</b> Damage to the vehicle may occur. Do not proceed until process has been complied with.
	<b>OPERATOR SAFETY:</b> Use caution to avoid risk of injury.
	<b>CAUTION:</b> A process that must be carefully observed in order to reduce the risk of damage to the accessory/vehicle and to ensure a quality installation.
	<b>TOOLS &amp; EQUIPMENT:</b> Used in Figures calls out the specific tools and equipment recommended for this process.

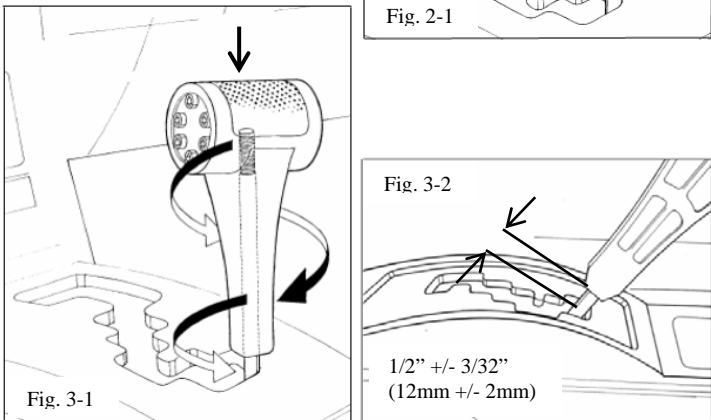
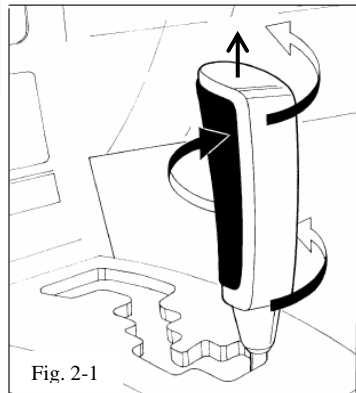
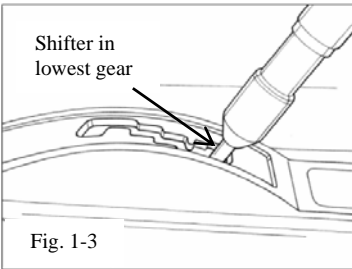
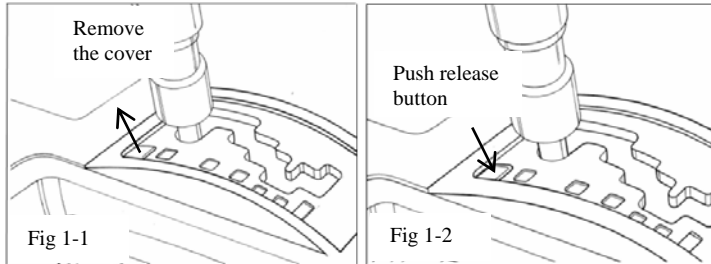
Care must be taken when installing this accessory to ensure damage does not occur to the vehicle. The installation of this accessory should follow approved guidelines to ensure a quality installation.

These guidelines can be found in the "Accessory Installation Practices" document.



This document covers such items as:-

- Vehicle Protection (use of covers and blankets, cleaning chemicals, etc.).
- Safety (eye protection, rechecking torque procedure, etc.).
- Vehicle Disassembly/Reassembly (panel removal, part storage, etc.).
- Electrical Component Disassembly/Reassembly (battery disconnection, connector removal, etc.).

Please see your Toyota dealer for a copy of this document.



**1. Vehicle Preparation. (FJ Cruiser shown)**

-  (a) Vehicle must be on level ground and not on an incline/decline.
-  (b) Fully engage the parking brake.
- (c) Remove the shift lock release cover. Save for re-use. (Fig. 1-1)
- (d) Push in the shift lock release button. (Fig. 1-2)
- (e) Place the shifter in lowest gear. (Fig. 1-3)

**2. Remove OE Shift Knob.**

- (a) Remove the OE shift knob by turning counter-clock-wise.
- (b) Discard the OE shift knob

**3. Install the Shift Knob.**

- (a) Install the shift knob by turning clock-wise.
  - (1) When fully installed there should be a 1/2" +/- 3/32" (12mm +/- 2mm) gap between the bottom of the shift knob shaft and the shift gate top surface.
  - (2) The "barrel" of the shift knob should be oriented across the vehicle.
  - (3) Place the shift lever in "Park".
  - (4) Replace the shift lock release cover.
  - (5) Clean the shift knob with a non-scratch cloth.

**TOYOTA TUNDRA 2007- SPORT SHIFT KNOB**

Checklist - these points **MUST** be checked to ensure a quality installation.

Check:

Look For:

Accessory Function Checks

- Shifter Knob is installed at correct height
- 
- 
- 

1/2" gap between Bottom of Shift Knob and gate surface.

Vehicle Function Checks

- Function of shifter
- 
- 

Shifter can be moved through entire shift pattern and does not contact gate surface.