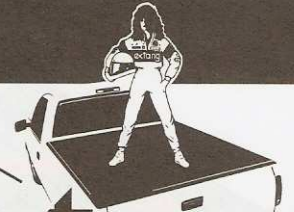


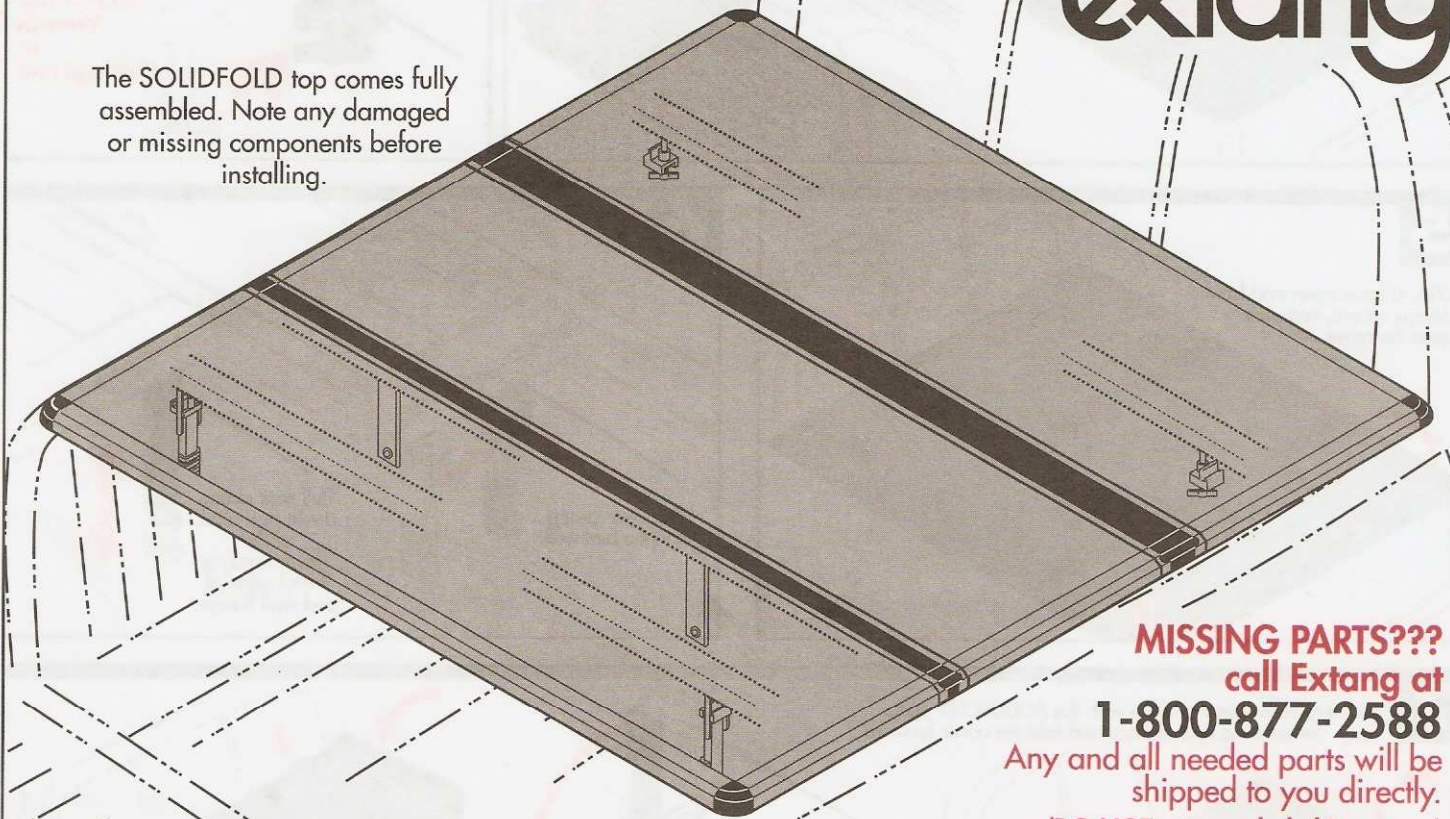
# INSTALLATION SHEET

## SOLID FOLD



# extang

The SOLIDFOLD top comes fully assembled. Note any damaged or missing components before installing.

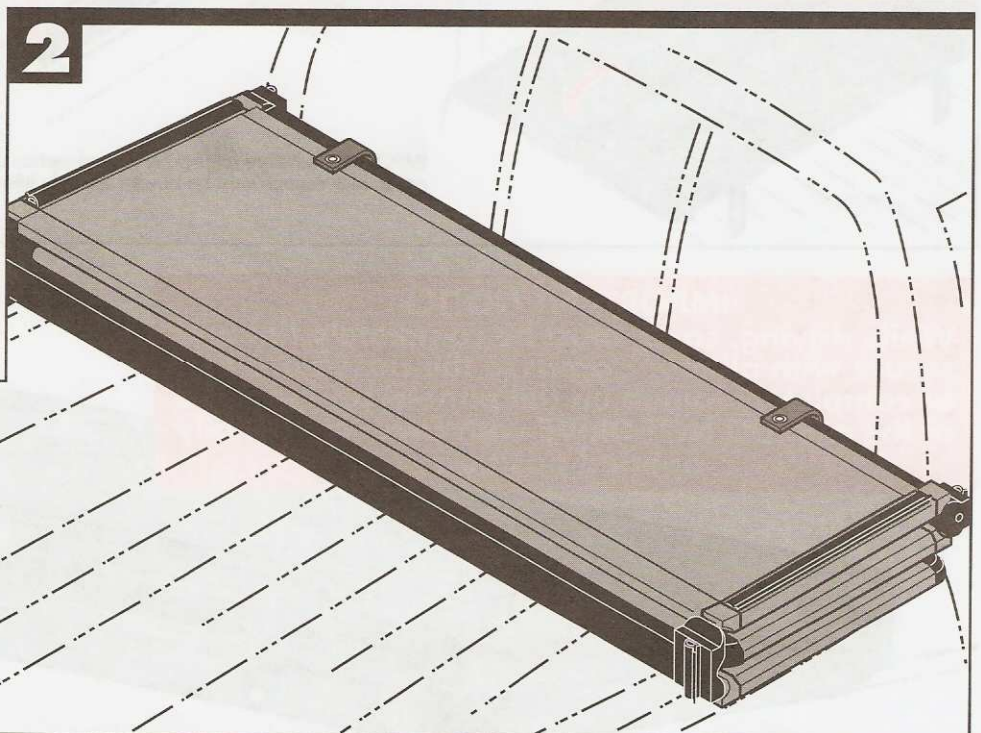
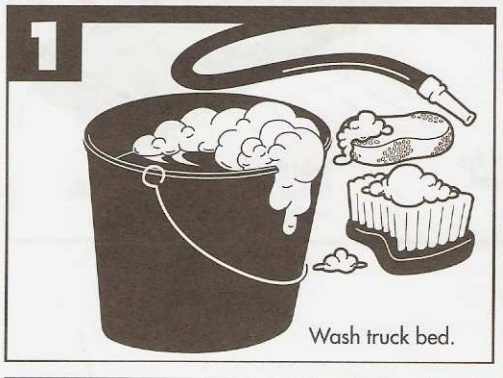


**MISSING PARTS???**  
call Extang at

**1-800-877-2588**

Any and all needed parts will be shipped to you directly.

(DO NOT return whole kit to store)



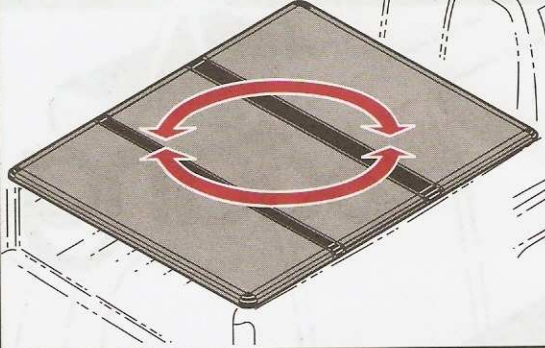
**extang**  
Stands for Quality

Extang Corporation  
1901 E. Ellsworth Rd.  
Ann Arbor, MI 48108  
734 677-0444, Fax: 734 677-8409

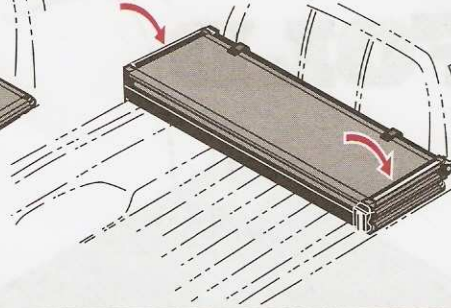
Visit us at:  
**www.extang.com**

Item No. 0182-0107 RH Printed in U.S.A.

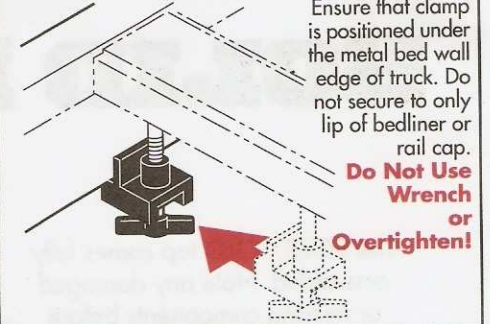
**3** Unfold the cover fully and adjust position over the truck bed for proper cab/tail alignment.



Carefully refold the cover without shifting its position on the truck bed.



**4** Slide front clamps out and hand tighten until clamp securely contacts downstanding metal edge of bed wall then tighten an additional 1/2 turn.

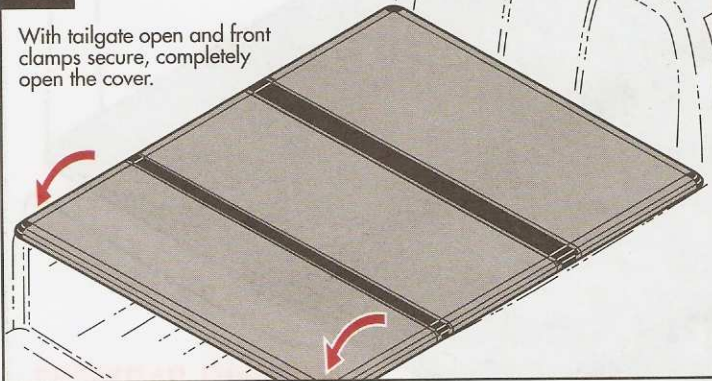


Ensure that clamp is positioned under the metal bed wall edge of truck. Do not secure to only lip of bedliner or rail cap.

**Do Not Use Wrench or Overtighten!**

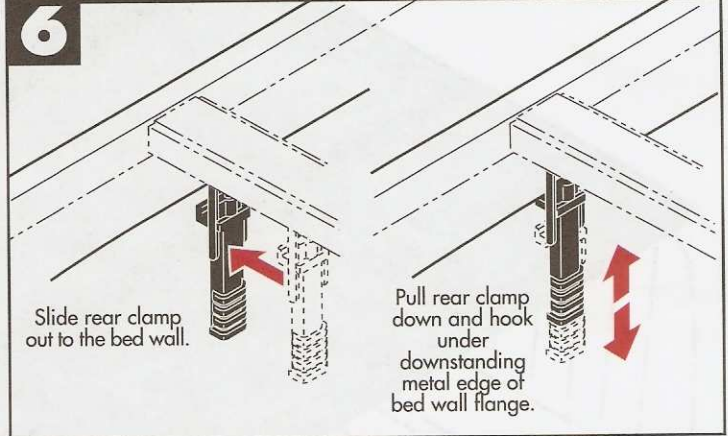
**5**

With tailgate open and front clamps secure, completely open the cover.



**6**

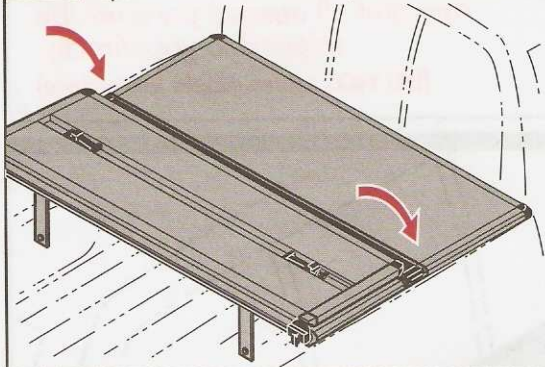
Slide rear clamp out to the bed wall.



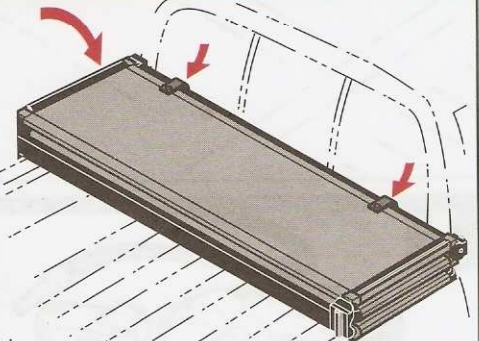
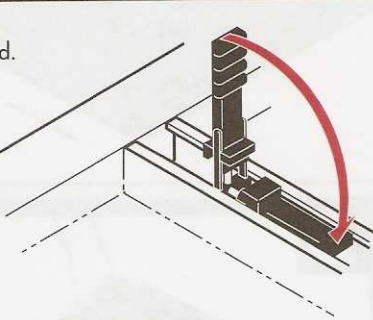
Pull rear clamp down and hook under downstanding metal edge of bed wall flange.

**7**

It is very convenient to drive with the SOLIDFOLD cover open. Release the rear clamps and fold the cover forward.



**IMPORTANT:** Before folding the second section of the cover, rear clamps must be stowed securely into rail.



Fold the cover forward and fasten the straps in the middle section to the front rail.

### IMPORTANT NOTICE

While driving, cover must be completely flat and secure with all four clamps in the closed position or completely folded up (all panels) and secured at the cab. **DO NOT DRIVE** with cover in partially opened position.

